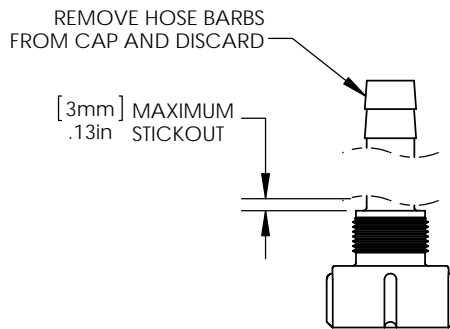
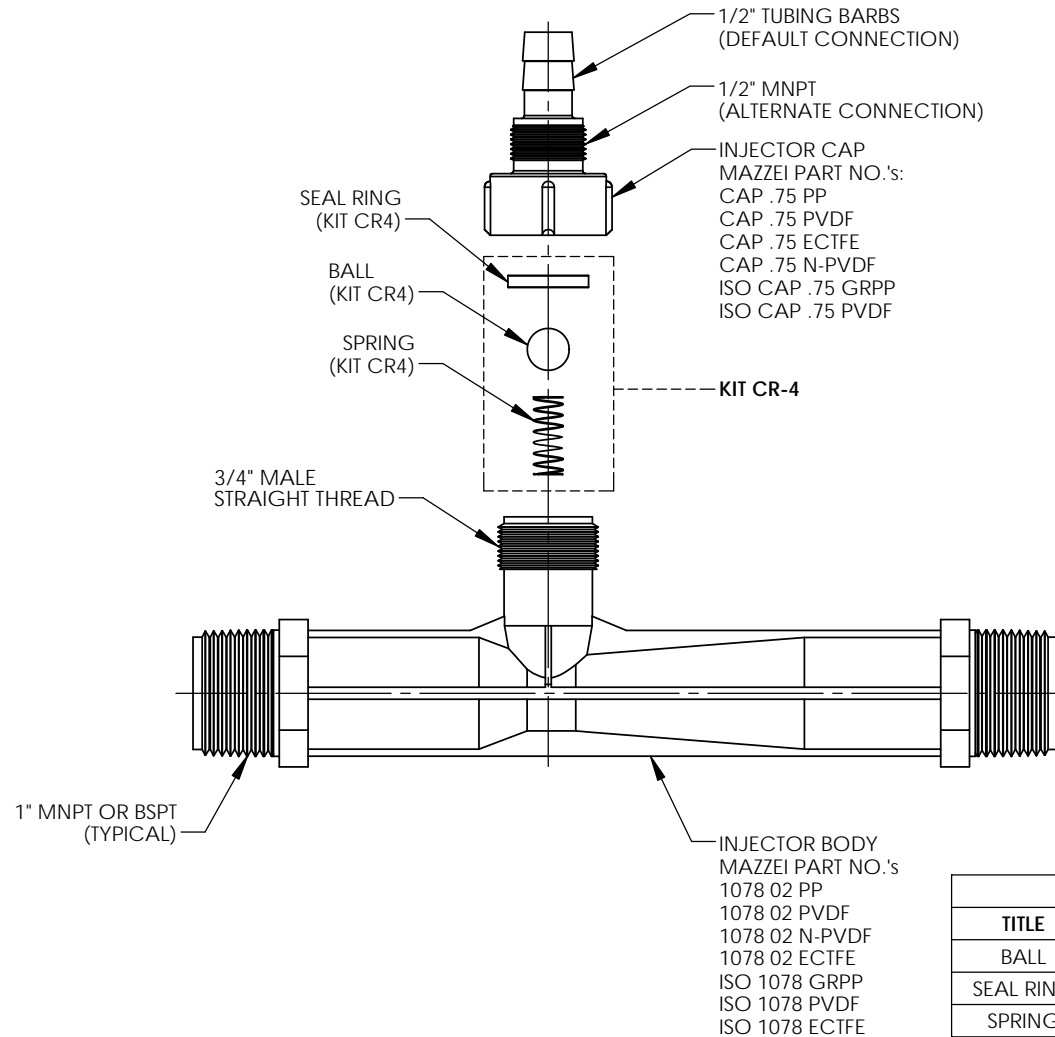


NOTES:

1. MADE IN THE U.S.A.
2. U.S. PATENT No. 5,863,128
3. U.S. No. 3,852,076 AND INTERNATIONAL REGISTERED TRADEMARKS
4. MATERIAL: GLASS FILLED POLYPROPYLENE (PP) OR POLYVINYLIDENE FLOURIDE (PVDF) OR ETHYLENE CHLOROTRIFLUOROETHYLENE (ECTFE)
5. INLET/OUTLET CONNECTION:  
1" MNPT OR BSPT
6. SUCTION PORT CONNECTION:  
  
DEFAULT - 1/2" I.D. TUBING BARB WITH INTEGRATED CHECK VALVE  
  
ALTERNATE - 1/2" MNPT - SEE ALTERNATE CAP MODIFICATION DETAIL
7. INSTALLATION RECOMMENDATION: REFER TO THE MAZZEI INJECTOR INSTALLATION GUIDE "TECHNICAL BULLETIN No. 10"
8. MAZZEI INJECTOR CO., LLC.  
500 ROOSTER DR.  
BAKERSFIELD, CA 93307  
TEL: 661.363.6500  
WEB: WWW.MAZZEI.NET



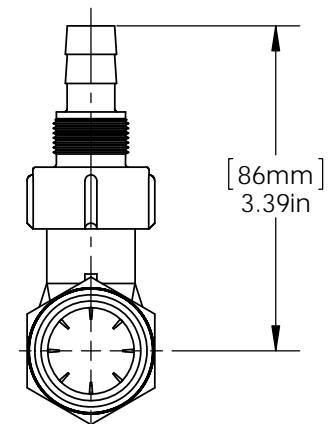
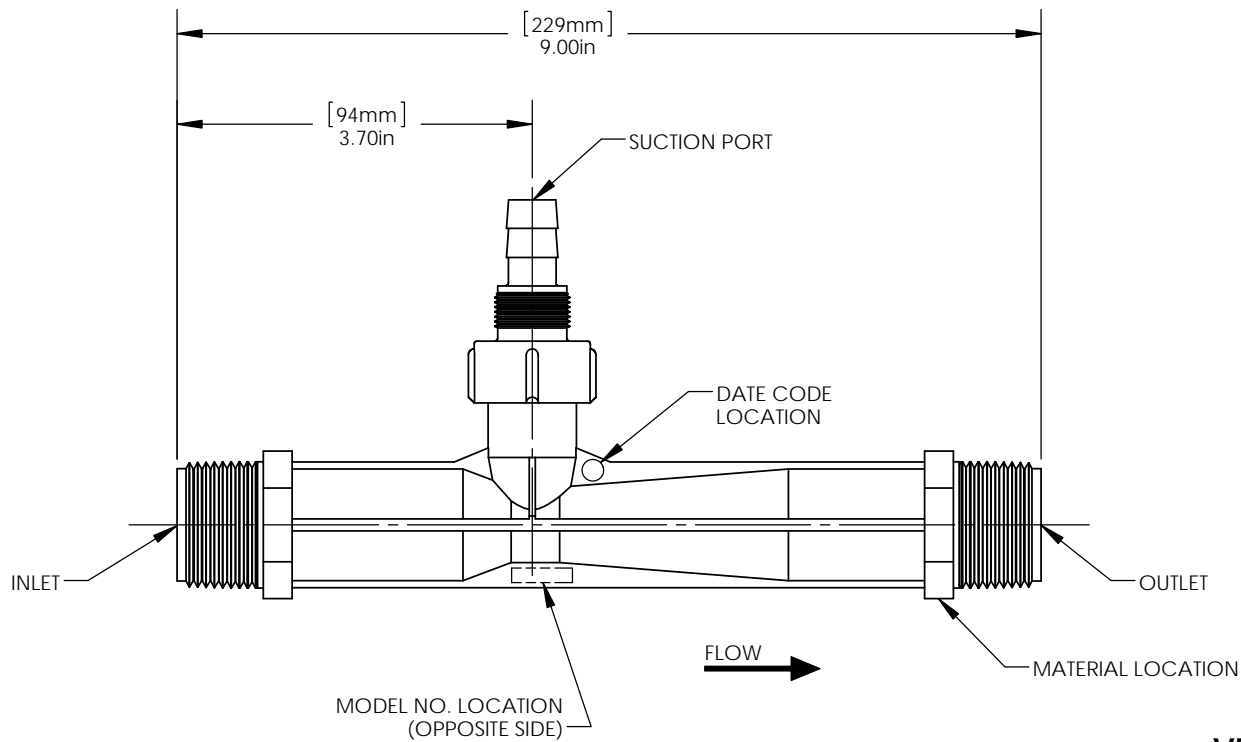
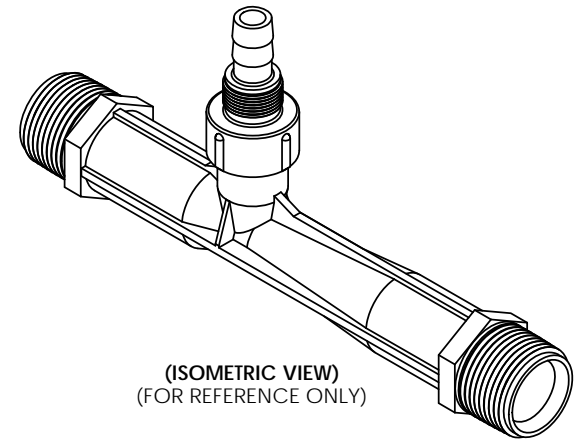
"CAP MODIFICATION DETAIL"  
(ALTERNATE)

**VENDOR ITEM CONTROL DRAWING**

KIT CR-4	
TITLE	MATERIAL
BALL	TEFLON ® (PTFE)
SEAL RING	KEL-F ® (PCTFE)
SPRING	HASTELLOY C-22

INJECTOR BODY  
MAZZEI PART NO.'s  
1078 02 PP  
1078 02 PVDF  
1078 02 N-PVDF  
1078 02 ECTFE  
ISO 1078 GRPP  
ISO 1078 PVDF  
ISO 1078 ECTFE

UNLESS OTHERWISE SPECIFIED DIMENSIONS ARE IN INCHES			TITLE: 1" INJECTOR; MODEL 1078 02			
DRAWN:	T.JOHNS		DRAWING NO.: 107802-PP/PVDF/ECTFE			
DATE:	10/12/12	SIZE:	WEIGHT:	SCALE:	REV.:	SHEET:
APPROVED:	P. BANKOWSKI	A	N/A	1:1	NC	1 OF 2



**VENDOR ITEM CONTROL DRAWING**

UNLESS OTHERWISE SPECIFIED DIMENSIONS ARE IN INCHES			TITLE: 1" INJECTOR; MODEL 1078 02		
DRAWN: T. JOHNS	DATE: 10/12/12		DRAWING NO.: 107802-PP/PVDF/ECTFE		
APPROVED: P. BANKOWSKI	SIZE: <b>A</b>	WEIGHT: N/A	SCALE: 1:1	REV.: NC	SHEET: 2 OF 2